

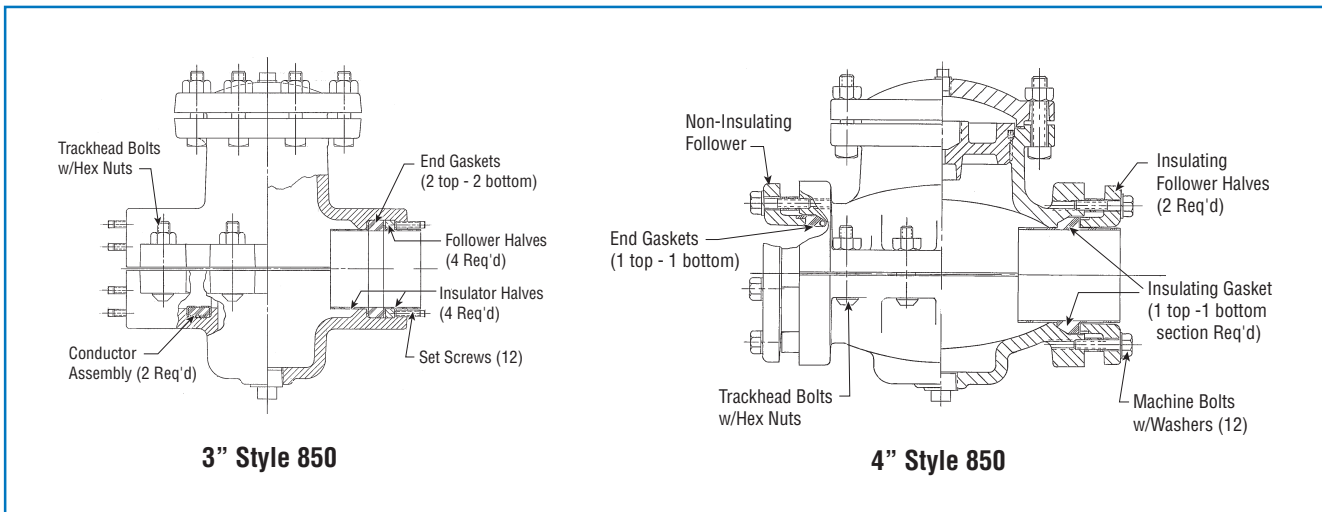
Style 850 Insulating Sleeve



For hot-tapping existing gas mains for cathodic protection

The Dresser® Style 850 Insulating Sleeve is extensively used by gas utilities to simplify the application of cathodic protection to existing steel mains. The Style 850 is used with a conventional tapping machine equipped with a shell cutter or a hole saw to completely sever the main inside the sleeve. One end of the 850 is effectively insulated from the main by means of high dielectric insulators, while the other end is conductive, tying the sleeve into the existing section of the main under cathodic protection. A stabilizing rib in the sleeve body accurately centers the 850 on the main and prevents any excessive end-pitch of the pipe after the cutting operation.

- Eliminates the need for expensive by-pass equipment
- No service interruptions (Hot-tapped)
- Sleeves come completely factory-assembled for quick installation
- A gas-tight, permanent joint!



Style 850 Insulating Sleeve Specifications

Nominal Size* (In.)	Outside Diameter OD (In.)	Overall Length (In.)	Item Code	Approx. Shipping Weight (Lbs.)
2	2.375	11-1/2	0005	38
3	3.500	15-1/2	0002	125
4	4.500	17-1/2	0003	200
6	6.625	20-3/8	0004	325

* All sizes rated to 125 psi

Materials of Construction

Body: Ductile Iron to ANSI/SAE J434, Grade D4512; ASTM A536 Grade 65-45-12

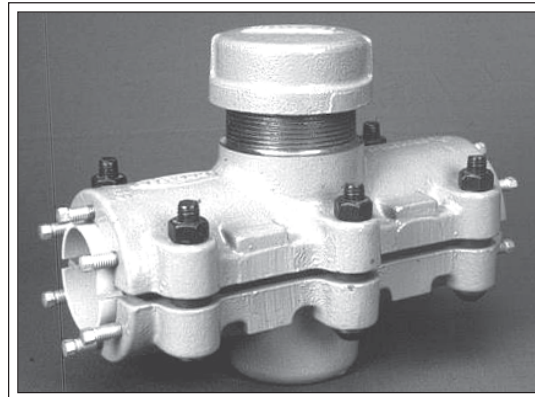
Followers (4"): Carbon Steel, Malleable or Ductile Iron per size specs.

Bolts, Nuts & Set Screws: Carbon Steel

Gasket Seals: To Dresser Specs per application

Insulator: Dielectric Plastic

Conductor: Copper



2" Style 850 Sleeve w/Cap