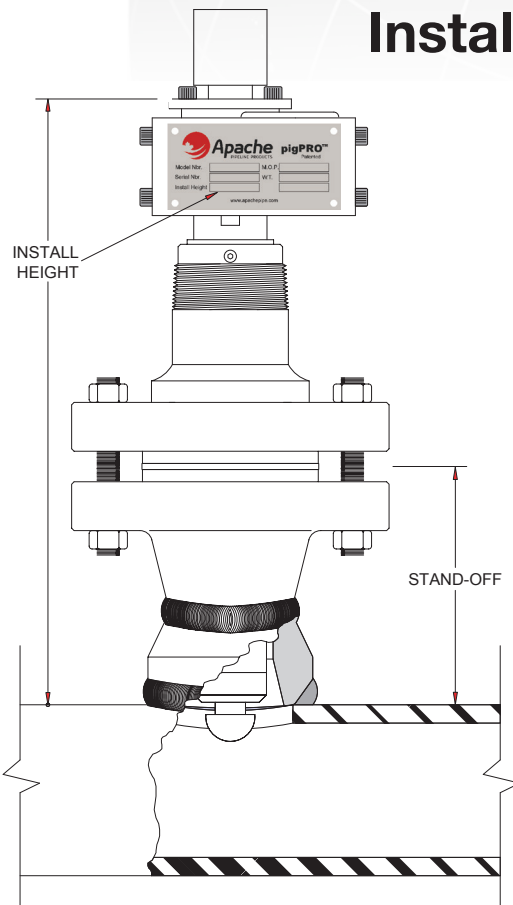


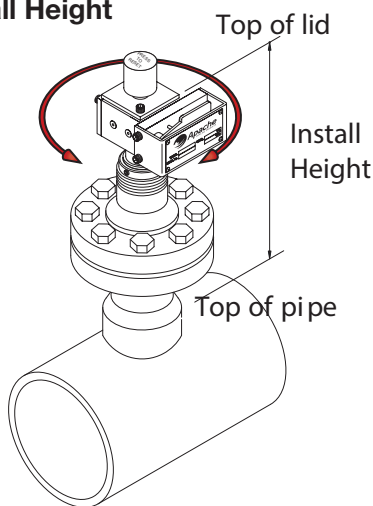
NEW APACHE pigPRO™ INDICATOR INSTALL GUIDE

Models 53, 55, 57 Flange Model Install Height



**** INSTALL HEIGHT
determined by customer supplied
WALL THICKNESS and STAND-OFF ****

1 Adjust Install Height



2 Using Supplied Allen Key, Tighten *INSTALL HEIGHT* LOCK SCREW to Secure Lower Housing

