



## **pigPRO™**

### **Options**

#### **Indicator Type:**

- Visual indication with manual reset.
- Electrical indication with auto reset.
- Combination visual/electrical indication.

#### **Mounts:**

- Threaded version mounts to welded, forged steel thread-o-let.
- Flanged version mounts to existing flanged process connection.

#### **Seals:**

- Special elastomer materials are available.

#### **Extensions:**

- Available in 2, 4, 6 and 8 foot lengths.
- Available with any indicator type.

### **Description**

The patented Apache **pigPRO™** indicator is designed to accurately detect the passage of a pipeline cleaner traveling within a pipeline system. It is considered an intrusive model as the plunger actually penetrates the pipe bore. The intruding plunger is actuated by the passage of a pipeline cleaner thereby activating either a visual or electrical indicator, or a combination of both.

### **Features**

Manufactured at our Edmonton, Canada facility, these rugged units are constructed of stainless steel internal parts impregnated with a durable corrosion resistant coating. Standard features include bi-directional activation, on-stream installation or removal capability and adjustable plunger sensitivity and penetration. Apache's unique patented fluid seal design does not allow paraffin or other objects to obstruct the operational mechanisms thus ensuring positive indication of the pig's passage. The engineering of our hemispherical plunger has eliminated the need for the operator to align the device, an inherent problem with other industry designs.



## Pig Passage Indicators



**Model 53-0000**

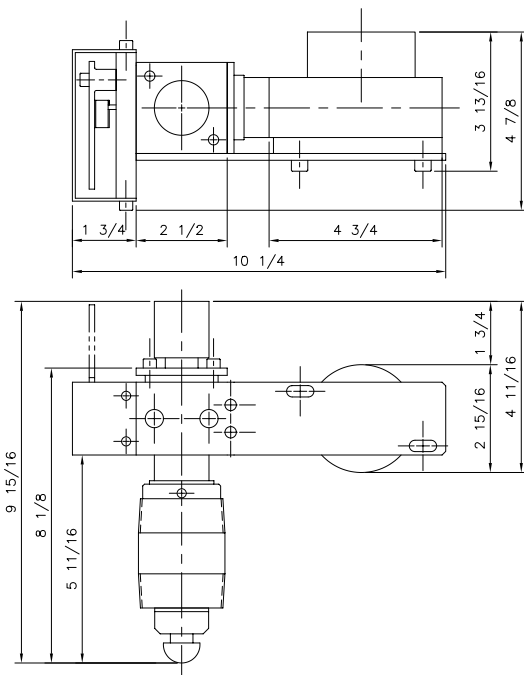
## pigPRO™

**Visual/Electrical Indication  
Manual/Auto Reset**

### Features

Basic **Model 53-0000** is a combined visual/electrical indicator with manual/automatic reset. It includes a thread mounting nipple, standard lower housing with fluorocarbon O-Rings, hemispherical plunger with a flag assembly and weather sealed & explosion proof limit switch. The switch employed on this model is NEMA rated, UL listed and CSA certified to suit most applications.

### Dimensions



### Options

#### Flange Mount



Flange base models are manufactured to mount to existing flanged connections and are available in class 150, 300, 600 or 900 ANSI flanges.

Conversions kits are also available which enable installation onto the mountings of other manufacturers.

#### Extension Pole



Aluminum extensions can be attached to enable detection of the pigs passage on buried pipelines. All pressure sealing components remain below the extension module.

Available in lengths 2' to 8'.



## Pig Passage Indicators



**Model 55-0000**

## pigPRO™

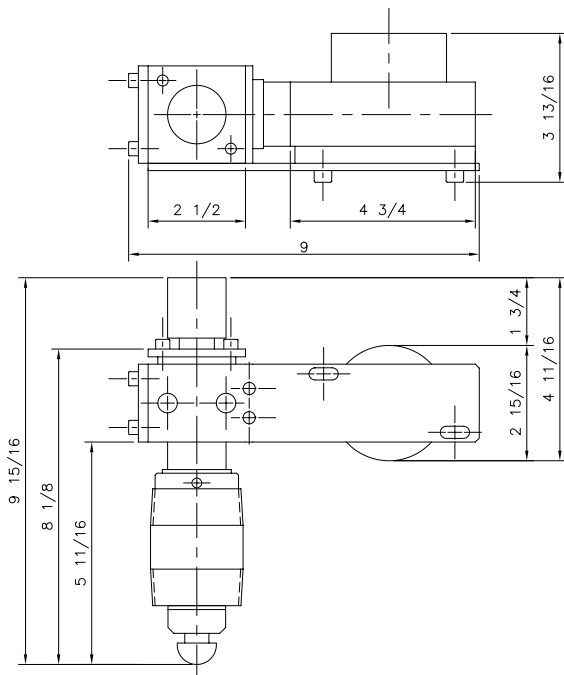
**Electrical Indication  
Auto Reset**

### Features

Basic **Model 55-0000** is an electrical indicator with automatic reset. It includes a thread mounting nipple, standard lower housing with fluorocarbon O-Rings, hemispherical plunger and weather sealed & explosion proof limit switch.

The switch employed on this model is NEMA rated, UL listed and CSA certified to suit most applications.

### Dimensions



### Options

#### Flange Mount



Flange base models are manufactured to mount to existing flanged connections and are available in class 150, 300, 600 or 900 ANSI flanges.

Conversions kits are also available which enable installation onto the mountings of other manufacturers.

#### Extension Pole



Aluminum extensions can be attached to enable detection of the pigs passage on buried pipelines. All pressure sealing components remain below the extension module.

Available in lengths 2' to 8'.



## Pig Passage Indicators



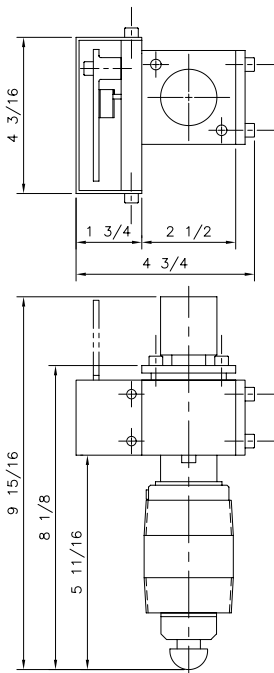
## pigPRO™

**Visual Indication  
Manual Reset**

### Features

Our most popular **pigPRO™** the basic **Model 57-0000** is a visual flag indicator with manual reset. It includes a thread mounting nipple, standard lower housing with fluorocarbon O-Rings, hemispherical plunger with a flag assembly.

### Dimensions



### Options

#### Flange Mount



Flange base models are manufactured to mount to existing flanged connections and are available in class 150, 300, 600 or 900 ANSI flanges.

Conversions kits are also available which enable installation onto the mountings of other manufacturers.

#### Extension Pole



Aluminum extensions can be attached to enable detection of the pigs passage on buried pipelines. All pressure sealing components remain below the extension module.

Available in lengths 2' to 8'.



## Pig Passage Indicators

# Technical Data

### Electrical

LSX Limit Switch - weather sealed, explosion proof enclosures meet NEMA standards: 1, 3, 4, 6, 9 and 13. UL listed and CSA certified: Class I, Div.1, Groups B,C and D. Class II, Div.1, Groups E, F and G.

**Electrical Ratings** 10 amps continuous carry. Circuits on any pole must be the same polarity.

<b>AC Volts</b>		Pilot Duty : 600VAC, 720VA		
<b>Electrical Rating</b>	<b>Circuitry</b>	<b>VAC</b>	Amps at 0.35 Power Factor	
			<b>Make</b>	<b>Break</b>
<b>B</b>	Double Pole	120	30	3
		240	15	1.5
	Double Throw	480	7.5	0.75
		600	6	0.60

<b>DC Volts</b>		Pilot Duty : 240VDC, 30 watts		
<b>Electrical Rating</b>	<b>Circuitry</b>	<b>VDC</b>	Make and Break Amps	
			<b>Inductive</b>	<b>Resistive</b>
<b>B</b>	Double Pole	120	0.25	0.80
	Double Throw	240	0.15	0.40

### Material

<b>Description</b>	<b>Material</b>
Internal Parts	316 Stainless Steel
Upper Housing	Polyester Coated Aluminum
Fasteners	18-8 Stainless Steel
Indicator Flag	90 Durometer Polyurethane
Mounting Base	ASTM A-105 Carbon Steel
Seals	Fluorocarbon
Springs	302 Stainless Steel
Thread Coating	Impreglon

### Operating

Temperature Range: -40°F to + 194°F  
(-40°C to +90°C)

Adjustable Penetration: 3/4" (1.91 cm)

Maximum Reset Pressure: 3,000 PSI  
(21,000 KPA)

**Please contact Apache if you require alternate specifications.**